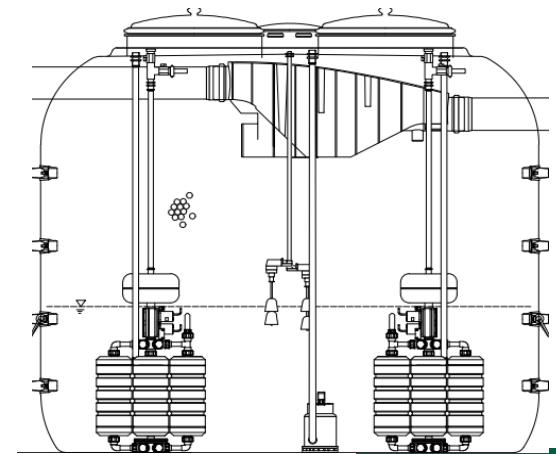


## Packaged Aqualoop GW3600L



Certified to NSF/ANSI  
Standard 350



### Description

Aqualoop commercial greywater treatment systems can be scaled to produce superior water quality at any capacity. With its NSF 350(C) certification, Aqualoop is indicated for use of treated water for indoor and outdoor non-potable uses such as toilet flushing, laundry, spray irrigation, and cooling tower make up. Aqualoop's patented and NSF certified MBR technology assures high water quality with low maintenance. The technology is scalable to any capacity, while retaining the NSF 350(C) certification, by installing multiple units in parallel.

The Aqualoop pre-assembled, packaged systems minimize engineering, installation, commissioning, and start-up time for an overall reduced installed cost. Each fully-assembled system is shipped shop-tested and ready for electrical and plumbing hook-up; with a complete drawing set, submittal package, and O&M manual.

### Specification

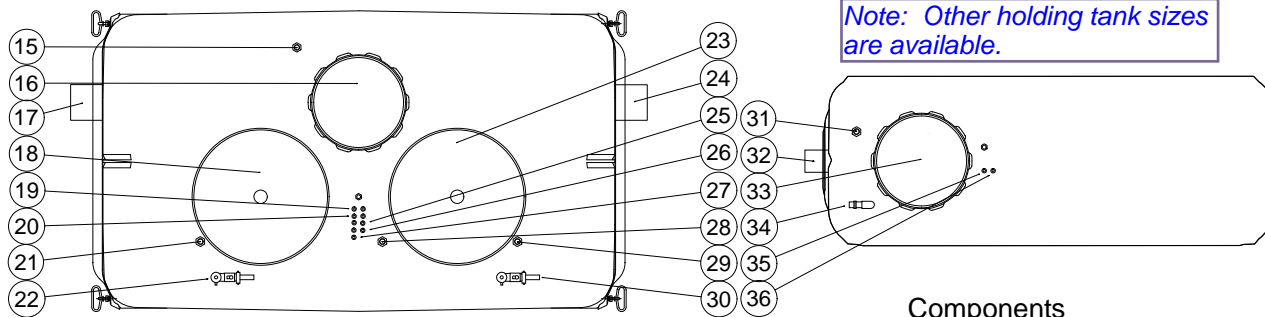
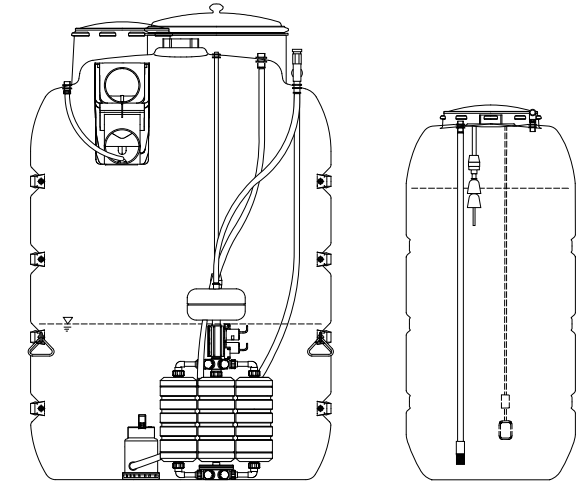
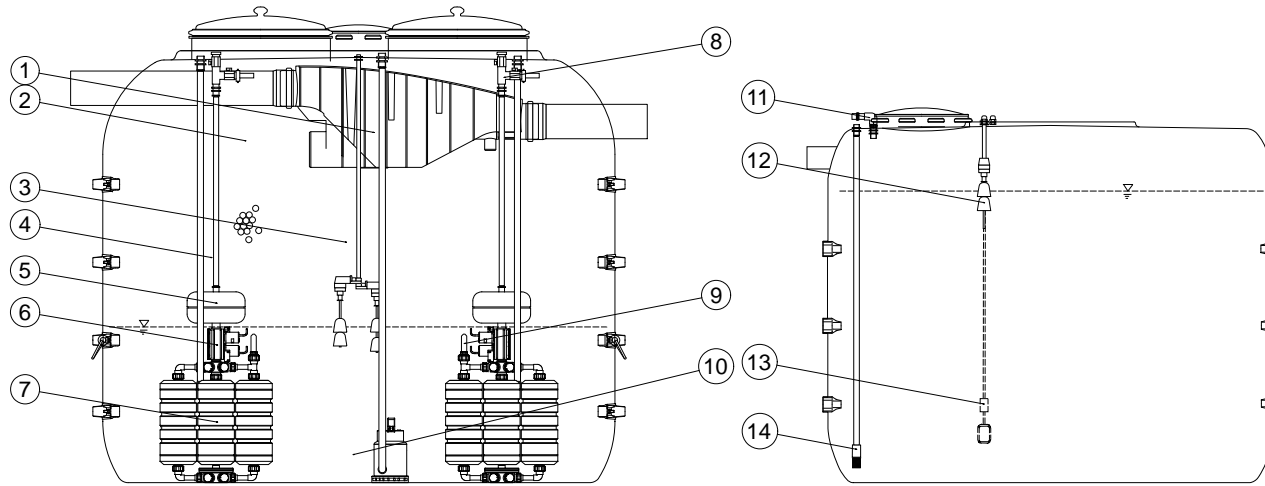
| Specifications                                 |   |
|--|---|
| Model Number                                   | GW3600L (See note 1)  |
| NSF Listed Daily Average Capacity (see note 2) | 952 GPD   |
| Approved Source Water (See note 1)             | NSF 350 Bath-Laundry Challenge Greywater, Max. 180 PPM BOD, 100 PPM TSS |
| Tank Working Volume                            | 832 Gallons   |
| Tank Sizing                                    | 1325 Gallons  |
| Tank Length                                    | 94.1"   |
| Tank Width                                     | 53.1"   |
| Tank Height'                                   | 84.1"   |
| Tank Material                                  | HDPE  |
| Controller (See note 3)                        | TBD   |
| BMS Connection                                 | None  |
| Pre-Filtration (See note 3)                    | Intewa PURAIN DN150 with Automatic Cleaning Shower                      |
| Greywater Inlet Diameter                       | 6"  |
| Tank Overflow Diameter                         | 6"  |
| Growth Media                                   | 360 Liters  |
| Air Scour Blower Sizing (See note 3)           | 400 LPM   |
| Diffuser Blower Sizing                         | None  |
| Membrane Clean-in-place                        | Semi-Automatic  |

**Notes:**

1. Parallel stand-alone units can be used to scale to larger systems within NSF 350 requirements.
2. See listing at [http://info.nsf.org/Certified/Wastewater/ListINSF approved ngs.asp?Standard=350&](http://info.nsf.org/Certified/Wastewater/ListINSF%20approved%20ngs.asp?Standard=350&)
3. See separate Specifications for details of – PURAIN Pre-filter, Controller, Blowers, and Membrane Station

SPECIFICATION SHEET





Note: Other holding tank sizes are available.

#### Components

1. PURAIN prefilter
2. PURAIN backflush nozzle
3. Floating switch, BR min
4. Growth carriers
5. Sludge pump
6. Filtrate and cleaning connection
7. Backwash tank
8. Filtration and backwash pumps
9. Membrane pressure sensor
10. Ultrafiltration cartridge
11. Filtrate connection
12. Floating switch, CL max
13. Floating switch, incl. with RAINMASTER
14. Suction filter

#### Connections (to AQUALOOP controller)

15. PURAIN backflush, 3/4" OD
16. Opening, Ø400 mm
17. Greywater inlet, DN150
18. Opening, Ø600 mm
19. Floating switch (Float-Sw BR min)
20. Filtration pump (Pump Suction)
21. Blower, 1" OD
22. Filtrate and cleaning, 3/4" OD
23. Opening, Ø600 mm
24. Greywater overflow, DN150
25. Backwash pump (Pump Backflush)
26. Membrane pressure sensor (ADr-Pump)
27. Sludge pump (230V-SLUDGE)
28. Sludge pump outlet, 1" OD
29. Blower, 1" OD
30. Filtrate and cleaning, 3/4" OD
31. Clear water overflow, DN100
32. Suction filter outlet, 1 1/2" OD
33. Opening, Ø500 mm
34. Floating switch (Float-SW CL max)
35. RAINMASTER floating switch
36. Filtrate inlet, 3/4" OD

\*Incl. but not shown: AQUALOOP Controller and Blower

Product: **AQUALOOP greywater recycling system**  
3600 L/day

**INTEWA GmbH**

Product Name: AL-GW600 System  
Product code: 230205