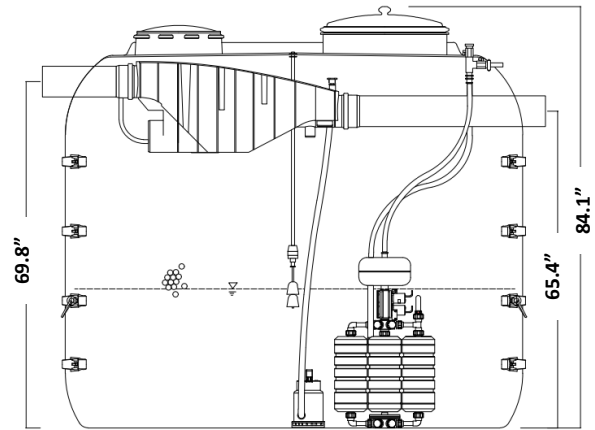


Packaged Aqualoop GW5400L



Certified to NSF/ANSI
Standard 350



Description

Aqualoop commercial greywater treatment systems can be scaled to produce superior water quality at any capacity. With its NSF 350(C) certification, Aqualoop is indicated for use of treated water for indoor and outdoor non-potable uses such as toilet flushing, laundry, spray irrigation, and cooling tower make up. Aqualoop's patented and NSF certified MBR technology assures high water quality with low maintenance. The technology is scalable to any capacity, while retaining the NSF 350(C) certification, by installing multiple units in parallel.

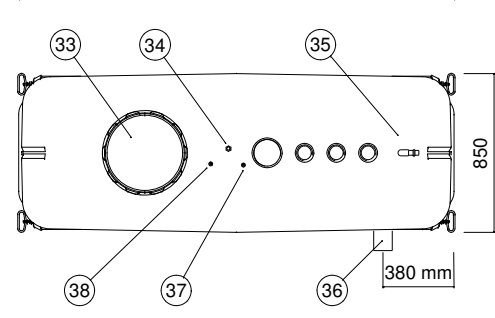
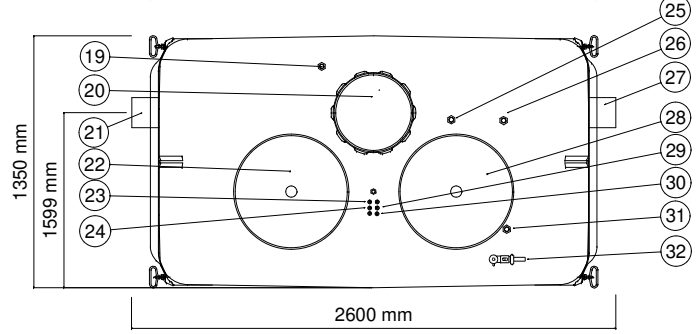
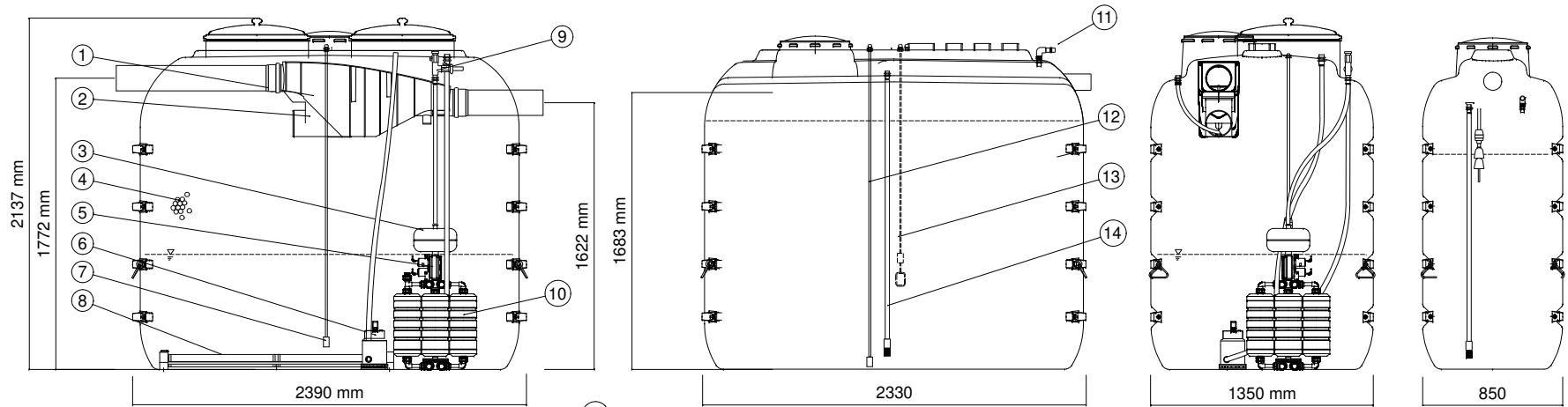
The Aqualoop pre-assembled, packaged systems minimize engineering, installation, commissioning, and start-up time for an overall reduced installed cost. Each fully-assembled system is shipped shop-tested and ready for electrical and plumbing hook-up; with a complete drawing set, submittal package, and O&M manual.

Specification

Specifications	
Model Number	GW5400L (See note 1)
NSF Listed Daily Average Capacity (see note 2)	1427 GPD
Approved Source Water (See note 1)	NSF 350 Bath-Laundry Challenge Greywater Quality, Max. 180 PPM BOD, 100 PPM TSS
Tank Working Volume	832 Gallons
Tank Sizing	1325 Gallons
Tank Length	94.1"
Tank Width	53.1"
Tank Height'	84.1"
Tank Material	HDPE
Controller (See note 3)	Intewa Connect - Color Touch Screen, Remote Monitoring, Control, Programming
BMS Connection	BacNet or MODBUS
Pre-Filtration (See note 3)	Intewa PURAIN DN150 with Automatic Cleaning Shower
Greywater Inlet Diameter	6"
Tank Overflow Diameter	6"
Growth Media	540 Liters
Air Scour Blower Sizing (See note 3)	600 LPM
Diffuser Blower Sizing	600 LPM
Membrane Clean-in-place	Automatic

Notes:

1. Parallel stand-alone units can be used to scale to larger systems within NSF 350 requirements.
2. See listing at [http://info.nsf.org/Certified/Wastewater/ListiNSF approved ngs.asp?Standard=350&](http://info.nsf.org/Certified/Wastewater/ListiNSF%20approved%20ngs.asp?Standard=350&)
3. See separate Specifications for details of – PURAIN Pre-filter, Controller, Blowers, and Membrane Station



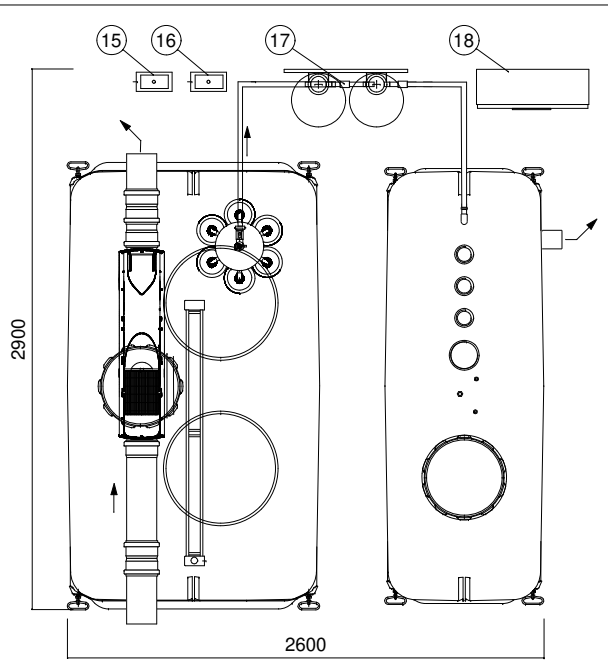
Note: Other holding tank sizes are available.

Connections

- 19. PURAIN backflush, 3/4" OD
- 20. Opening for pre-filter PURAIN, Ø400 mm
- 21. Greywater inlet, DN150
- 22. Opening, Ø600 mm
- 23. Level sensor (BR min)
- 24. Filtration pump (Pump Suction)
- 25. Sludge pump outlet, 1" OD
- 26. Blower Diffuser, 1" OD
- 27. Bio reactor overflow, DN150
- 28. Opening, Ø600 mm
- 29. Backwash pump (Pump Backflush)
- 30. Sludge pump (230V-SLUDGE)
- 31. Blower Membrane, 1" OD
- 32. Filtrate and cleaning, 3/4" OD
- 33. Opening, Ø500 mm
- 34. Suction filter outlet, 1 1/2" OD
- 35. Filtrate inlet, 3/4" OD
- 36. Clear water overflow, DN100
- 37. RAINMASTER floating switch
- 38. Level sensor (CL max)

Components

- 1. PURAIN prefilter
- 2. PURAIN backflush nozzle
- 3. Backwash tank
- 4. Growth carriers
- 5. Filtration and backwash pumps
- 6. Sludge pump
- 7. Level sensor, BR min
- 8. Aeration Diffuser
- 9. Filtrate and cleaning connection
- 10. Ultrafiltration cartridge
- 11. Filtrate connection inlet
- 12. Level sensor, CL max
- 13. Floating switch (for e.g. booster pump RM)
- 14. Suction filter for booster pump
- 15. Blower Diffuser
- 16. Blower Membrane station
- 17. Automatic cleaning device
- 18. Controller incl. remote control



Product: **AQUALOOP** greywater recycling system
5400 L/day with A-CIP

INTEWA GmbH

Product Name: AL-GW5400 A-CIP System
Product code: