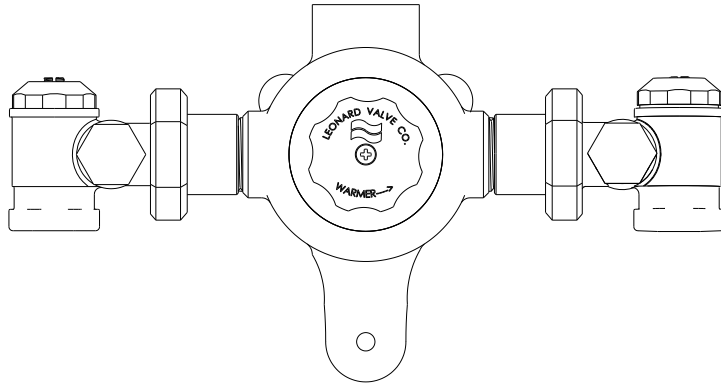
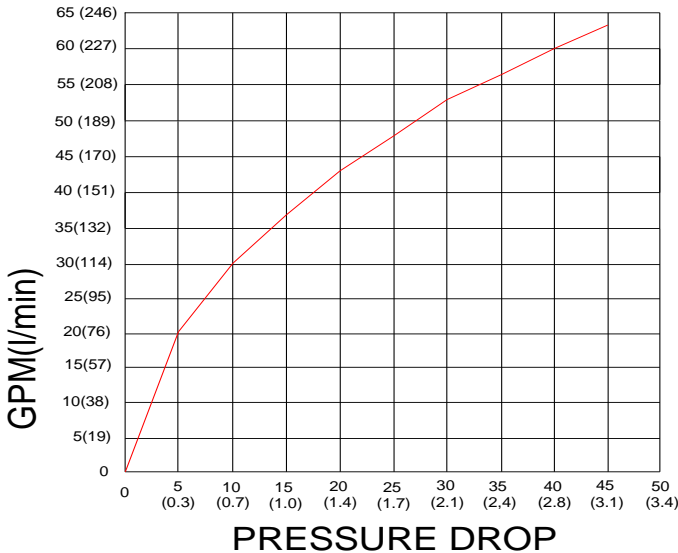


# THERMOSTATIC MIXING VALVES



		PRESSURE DROP								
MIN+ FLOW	5	10	15	20	25	30	35	40	45	PSI
	0.3	0.7	1	1.4	1.7	2.1	2.4	2.8	3.1	BAR
<b>3</b>	<b>21</b>	<b>31</b>	<b>37</b>	<b>43</b>	<b>48</b>	<b>53</b>	<b>56</b>	<b>60</b>	<b>63</b>	GPM
11	79	117	140	163	182	201	211	227	238	l/min

## FLOW RATE



# ECO-MIX™

## LV-982-LF-\_\_\_\_\_

### 3-63 GPM (11-238 l/min)

- Thermostatic Water Mixing Valve with 3 GPM (11 l/min) minimum flow capacity
- 1" inlets, 1-1/4" outlet (25mm x 32 mm)
- Integral combination checkstops with strainers
- 125 PSI (8.6 BAR) maximum operating pressure
- Copper encapsulated thermostatic assembly with Teflon coated stainless steel shuttle
- Locking temperature regulating handle
- Temperature adjustment range, 90-140°F (32-60°C) \*\*
- Internal parts stainless steel
- Integral wall support for easy mounting
- Rough Bronze Finish

### OPTIONS (IT & BDT SHIP LOOSE)

- \_\_\_ SUFFIX **CP** Chrome plated finish
- \_\_\_ SUFFIX **IT** Inlet thermometers
- \_\_\_ SUFFIX **LWS** Less wall support
- \_\_\_ SUFFIX **BDT** Ball valve with dial thermometer (shipped loose)

ASSE 1017 Certified



cUPC Certified



This product is certified to meet Low Lead requirements of wetted surface area containing less than 0.25% lead by weight

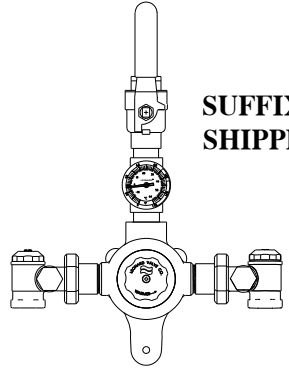
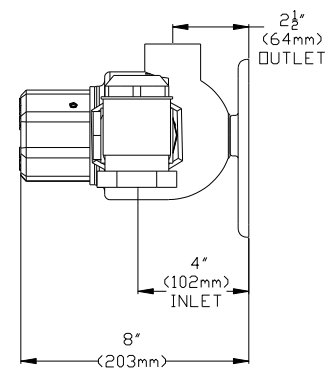
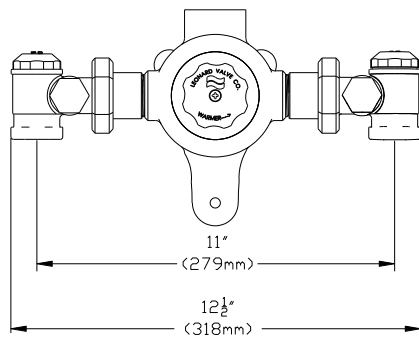


**WARNING:** This product can expose you to chemicals including lead, which is known to the State of California to cause cancer. For more information, go to [www.P65Warnings.Ca.gov](http://www.P65Warnings.Ca.gov)

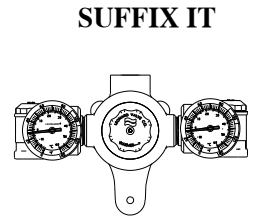
<b>Engineer's Approval</b>	Job # _____
	Arch/Eng. _____
	Contractor _____
+NOTE: The valve will maintain temperature with 0.5GPM flow from the domestic hot water loop when properly installed near the hot water source with a continuously operating recirculation pump.	

\*\*NOTE: For temperatures outside of this valve's stated range, please see our line of bi-metal valves.

\*NOTE: A locking temperature regulator set for 120°F (49°C), is simply a mechanical setting to prevent unauthorized temperature set point changes. If incoming water is hotter than 150°F (65.5°C), the temperature of the factory test, the valve may deliver in excess of 120°F. MUST BE RESET BY THE INSTALLER

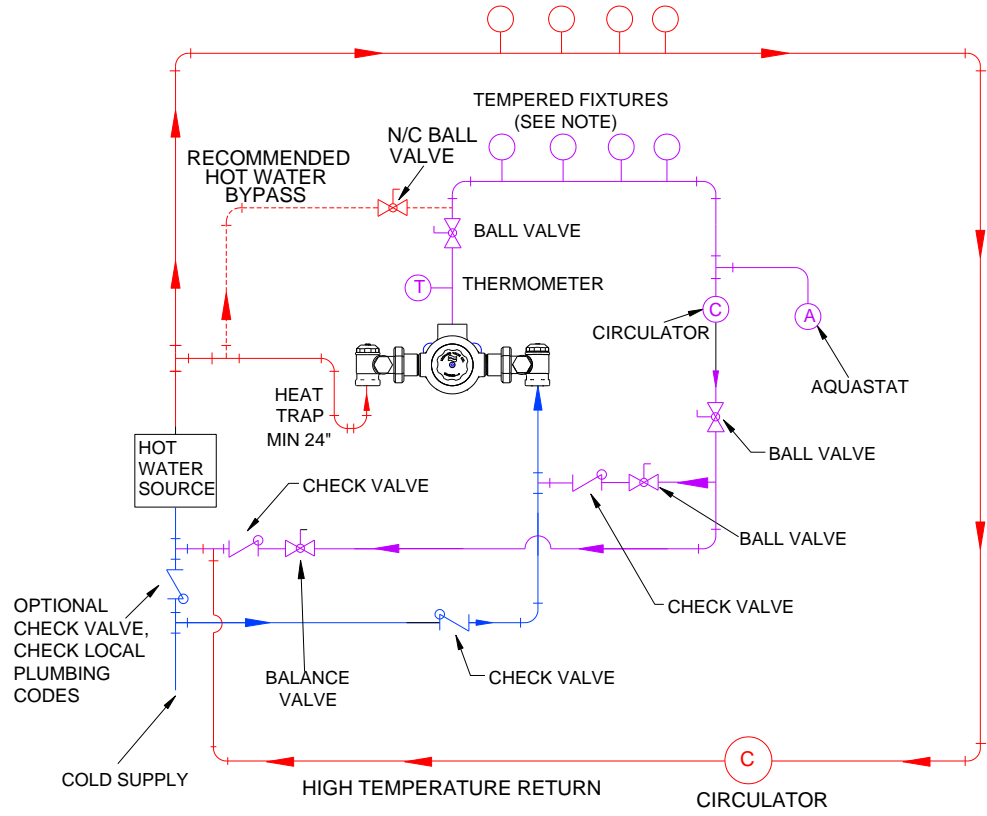


**SUFFIX BDT  
SHIPPED LOOSE**



**SUFFIX IT**

HIGH TEMPERATURE FIXTURES (IF APPLICABLE)



NOTE: Leonard Valve Company reserves the right of product or design modification without notice or obligation

**CAUTION!** All thermostatic water mixing valves have limitations. They will NOT provide the desired accuracy outside of their flow capacity range. Consult the Flow Capacity Chart and DO NOT OVERSIZE. Minimum flow must be no less than as indicated.



1360 Elmwood Avenue, Cranston, RI 02910 USA  
 Phone: 401.461.1200 Fax: 401.941.5310  
 Email: [info@leonardvalve.com](mailto:info@leonardvalve.com)  
 Web Site: <http://www.leonardvalve.com>