

THERMOSTATIC MIXING VALVES

ECO-MIX™

LV-20-E-LF _____

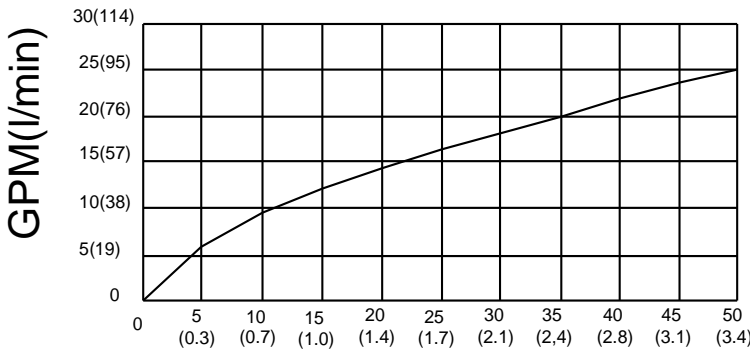
1-25 GPM (3.8-95 l/min)



- Thermostatic Water Mixing Valve with 1 GPM (3.8 l/min) minimum flow capacity
- 3/4" threaded inlets, 3/4" threaded outlet (19mm x 19mm)
- Integral combination checkstops with wall support
- 125 PSI (8.6 BAR) maximum operating pressure
- Copper encapsulated thermostatic assembly with stainless steel shuttle
- Locking temperature regulating handle*
- Temperature adjustment range, 90-140°F (32-60°C) **
- Internal parts of stainless steel
- Integral wall support for easy mounting
- Rough Bronze Finish

MIN+ FLOW	5	10	15	20	25	30	35	40	45	50	PSI
	0.3	0.7	1	1.4	1.7	2.1	2.4	2.8	3.1	3.4	BAR
1	6	9	12	14	16	18	20	22	24	25	GPM
3.8	23	34	45	53	61	68	76	83	89	95	l/min

FLOW RATE



PRESSURE DROP PSI(BAR)

NOTE: Leonard Valve Company reserves the right of product or design modification without notice or obligation

OPTIONS:

- ___ SUFFIX **CP** Chrome plated
- ___ SUFFIX **IT** Inlet thermometers (shipped loose)
- ___ SUFFIX **LWS** Less wall support
- ___ SUFFIX **BDT** Ball valve with dial thermometer (shipped loose)



WARNING: This product can expose you to chemicals including lead, which is known to the State of California to cause cancer. For more information, go to www.P65Warnings.Ca.gov

ASSE 1017 Certified
CUPC Certified

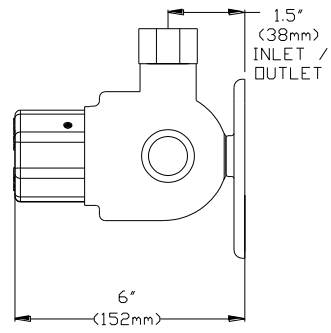
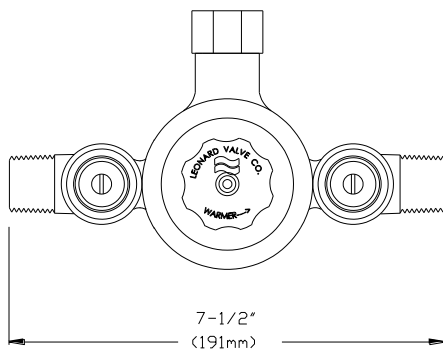


This product is certified to meet Low Lead requirements of wetted surface area containing less than 0.25% lead by weight

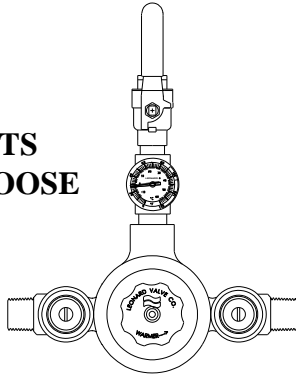
Engineer's Approval	Job # _____
	Arch/Eng. _____
	Contractor _____

**NOTE: For temperatures outside of this valve's stated range, please see our line of bi-metal valves.

**NOTE: A locking temperature regulator is simply a mechanical setting to prevent unauthorized temperature set point changes. AFTER INSTALLATION THE VALVE MUST BE RESET BY THE INSTALLER !!

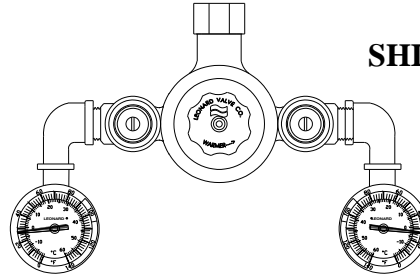


**BDT PARTS
SHIPPED LOOSE**

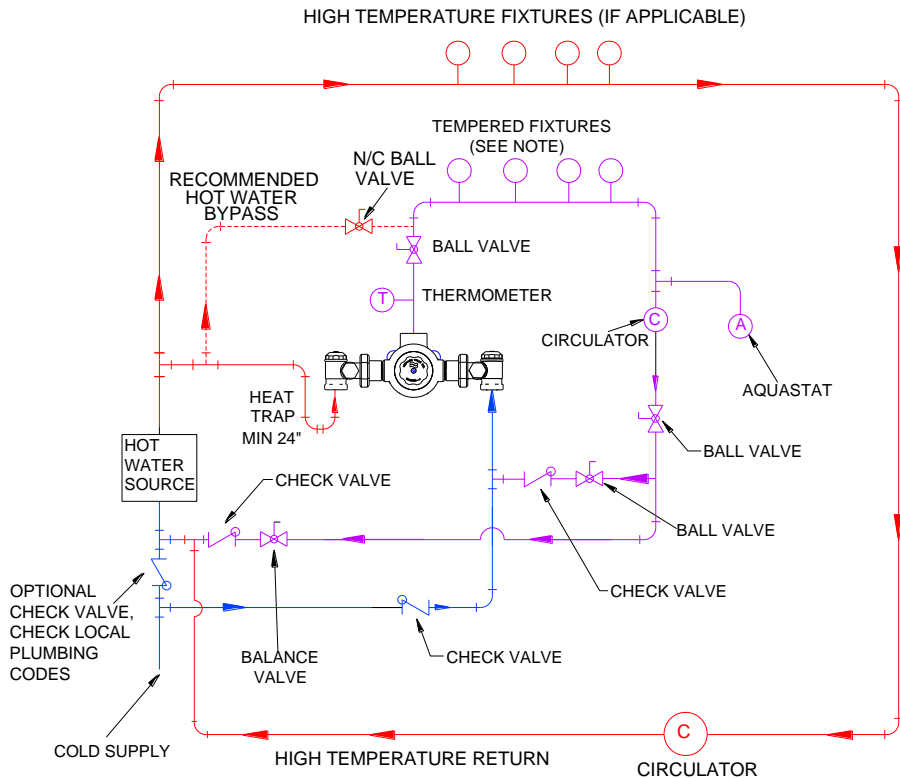


SUFFIX BDT

**IT PARTS
SHIPPED LOOSE**



SUFFIX IT



CAUTION! All thermostatic water mixing valves have limitations. They will NOT provide the desired accuracy outside of their flow capacity range. Consult the Flow Capacity Chart and DO NOT OVERSIZE. Minimum flow must be no less than as indicated.



1360 Elmwood Avenue, Cranston, RI 02910 USA

Phone: 401.461.1200 Fax: 401.941.5310

Email: info@leonardvalve.com

Web Site: <http://www.leonardvalve.com>