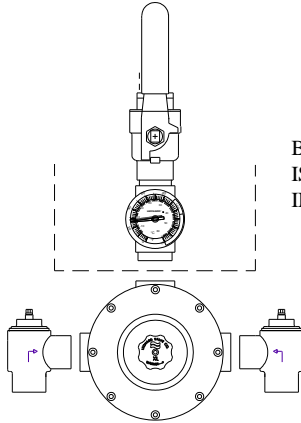


# ECO-MIX™

## HIGH LOW THERMOSTATIC MIXING VALVES

### XL-200-SW-LF-BDT \_\_\_\_\_ 5-208 GPM (18.9-787 l/min)



BDT ASSEMBLY IS A COMPONENT ACCESSORY INCLUDED BY FACTORY

- High Low Thermostatic Water Mixing Valve with 5 GPM (18.9 l/min) minimum flow capacity
- 2" inlets, 2" outlet (51 mm x 51 mm)
- Outlet dial thermometer and ball valve
- Integral combination checkstops with strainers and wall support (SHIP LOOSE)
- 125 PSI (8.6 BAR) maximum operating pressure
- Copper encapsulated thermostatic assembly with Teflon coated stainless steel shuttle
- Locking temperature regulating handle set for 120°F(49°C)\*
- Temperature adjustment range, 95-135°F (35-57°C) \*\*
- Internal parts of stainless steel
- Rough Bronze Finish

**NOTE: Sweat inlets & outlet, checks shipped loose**

		PRESSURE DROP										
MIN+ FLOW	5	10	15	20	25	30	35	40	45	50	PSI	
	0.3	0.7	1	1.4	1.7	2.1	2.4	2.8	3.1	3.4	BAR	
5	69	96	117	135	148	163	174	188	198	208	GPM	
18.9	216	363	443	511	560	617	659	712	750	787	l/min	

#### OPTIONS

- \_\_\_ SUFFIX **LWS** Less wall support
- \_\_\_ SUFFIX **TC** Test connection (shipped loose)
- \_\_\_ SUFFIX **IT** Inlet thermometers (shipped loose)

NOTE: Leonard Valve Company reserves the right of product or design modification without notice or obligation

**This valve is certified to meet Low Lead requirements of wetted surface area containing less than 0.25% lead by weight. All other component accessories, the sum total of which comprise the wetted surface of this product, contain less than one quarter of one percent lead by weight.**



**WARNING:** This product can expose you to chemicals including lead, which is known to the State of California to cause cancer. For more information, go to [www.P65Warnings.Ca.gov](http://www.P65Warnings.Ca.gov)

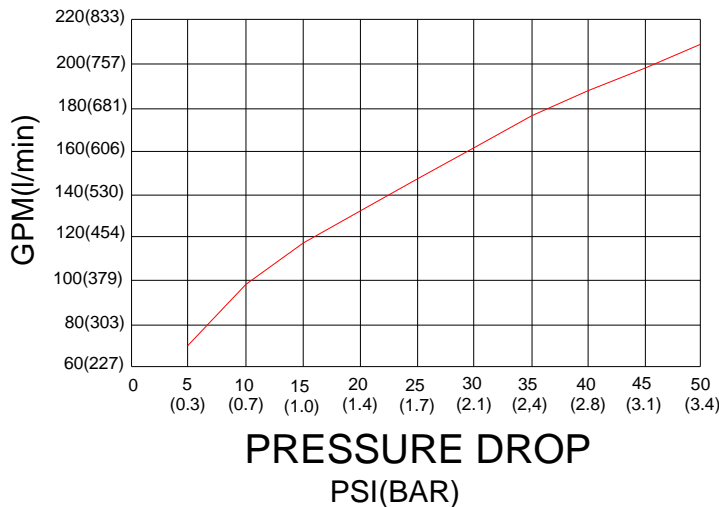
ASSE 1017 Certified



cUPC Certified



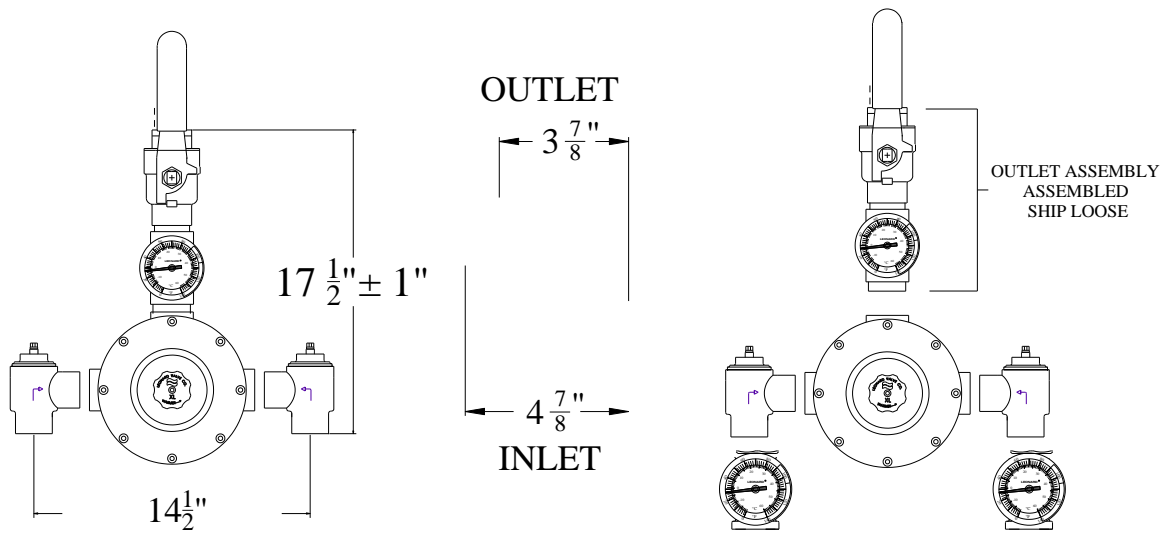
FLOW RATE



**+NOTE:** The valve will maintain temperature with 0.5GPM flow from the domestic hot water loop when properly installed near the hot water source with a continuously operating recirculation pump.

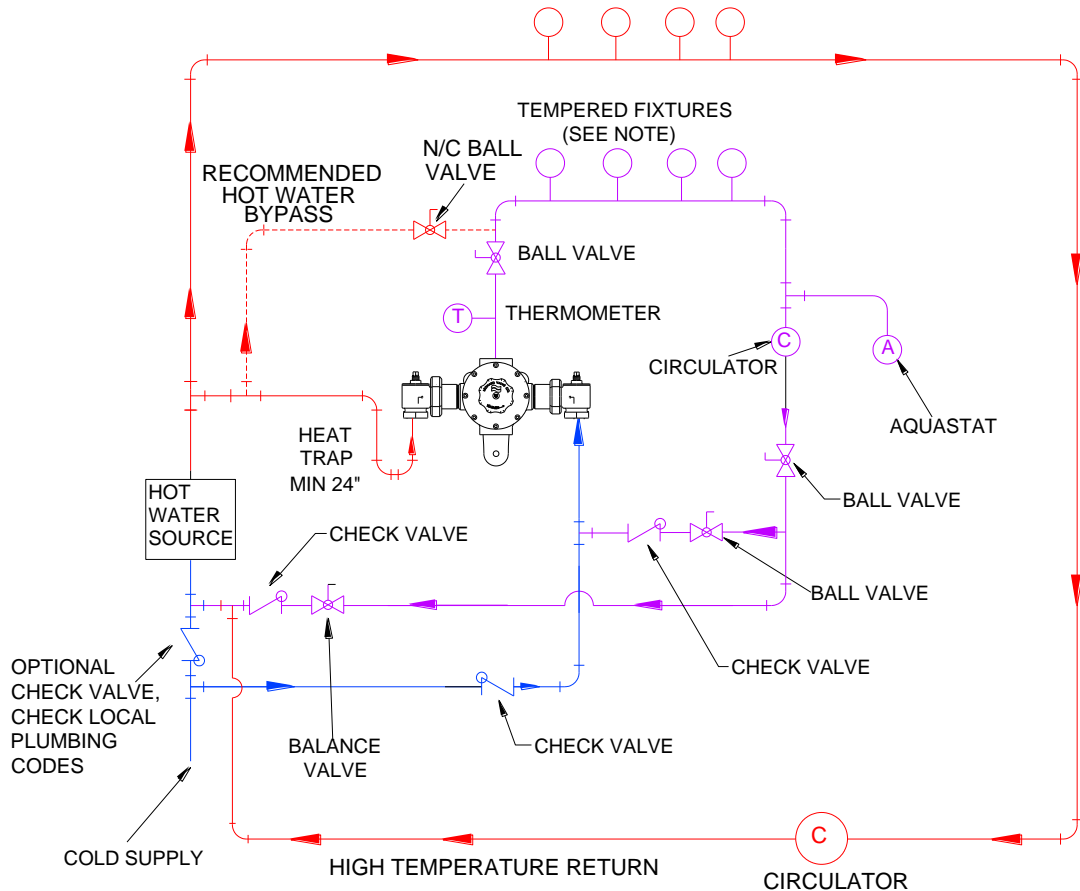
**\*\*NOTE:** For temperatures outside of this valve's stated range, please see our line of bi-metal valves.

**\*NOTE:** A locking temperature regulator set for 120°F (49°C), is simply a mechanical setting to prevent unauthorized temperature set point changes. If incoming water is hotter than 150°F (65.5°C), the temperature of the factory test, the valve may deliver in excess of 120°F. **MUST BE RESET BY THE INSTALLER**



## SUFFIX IT (SHIP LOOSE)

HIGH TEMPERATURE FIXTURES (IF APPLICABLE)



**CAUTION!** All thermostatic water mixing valves have limitations. They will NOT provide the desired accuracy outside of their flow capacity range. Consult the Flow Capacity Chart and DO NOT OVERSIZE. Minimum flow must be no less than as indicated.