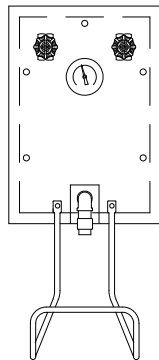
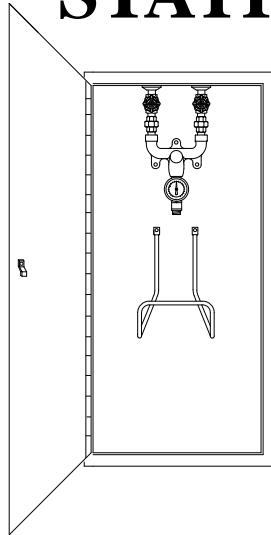


INDUSTRY HOSE STATIONS



CW-75-VBD-LF CWH-75-VBD-LF

MANUAL STEAM & WATER BLENDERS

Mix hot & cold water OR steam & water

__CWH-75-VBD-LF CABINET

- Manual Steam & Water Blender
- 3/4" IPS steam (or hot water) inlet
- 3/4" IPS cold water inlet
- Two stop and check valves with color coded heat resistant handles on inlets, (internal parts of stainless steel construction)
- Mixing chamber with steam jet, (stainless steel)
- Integral wall support
- 3/4" outlet with dial thermometer (20 to 240°F, -5 to 115°C)
- Vacuum breaker, hose connection
- Chrome plated finish
- Stainless steel hose rack (will support up to 35' of hose in cabinet assemblies only)
- Recess cabinet with door, hinge and lock, body 16 gauge stainless steel, door and flange 12 gauge stainless steel, #4 finish, top inlets.
- 40 PSI (2.8 bar) minimum operating pressure
- 80 PSI (5.5 bar) maximum operating steam pressure
- 125 PSI (8.6 bar) maximum operating water pressure

__CW-75-VBD-LF CABINET

- Panel-type recessed stainless steel cabinet, body 18 gauge stainless steel, cover 14 gauge stainless steel, #4 finish. Top inlets. Hose rack mounts on front cover

__CW-75-VB-LF CABINET

- Same as above less dial thermometer.

NOTE: ESS-Exposed type cabinet NOT AVAILABLE AS OF 10/22/2012

This Product is Third Party certified to meet national Low Lead requirements of AB 1953 where wetted surface area is required to be less than 0.25% lead by weight.



WARNING: This product can expose you to chemicals including lead, which is known to the State of California to cause cancer. For more information, go to www.P65Warnings.Ca.gov

IMPORTANT! The prevailing steam (or hot water) pressure must be slightly lower than the cold water pressure.

Not for use with unequal pressures. Install pressure reducing valves where unequal pressure conditions exist.

Product is non-cancellable and non-returnable from date from order with factory. Signed submittal required with purchase order.

NOTE: Hose and nozzle not included. If required, please attach separate submittal sheet.

CAUTION: These valves may pass live steam under certain circumstances. Follow recommended operating instructions and wear protective clothing when using.

Engineer's Approval

Job # _____

Arch/Eng. _____

Contractor _____

LEONARD
WATER TEMPERATURE CONTROLS

1360 Elmwood Avenue, Cranston, RI 02910 USA

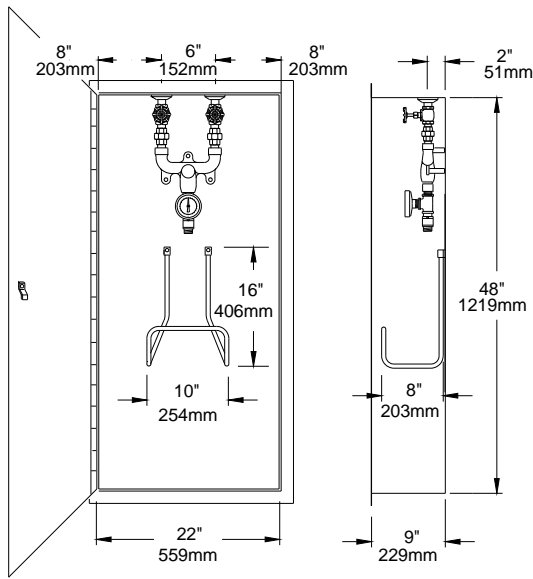
Phone: 401.461.1200 Fax: 401.941.5310

Email: info@leonardvalve.com

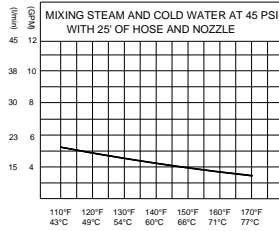
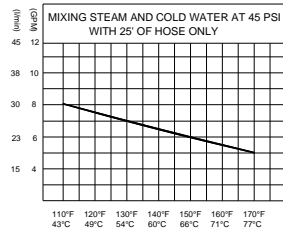
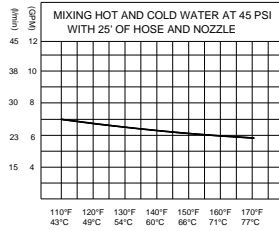
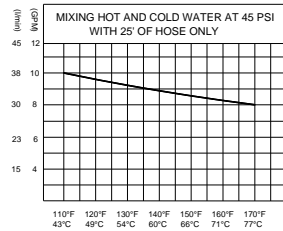
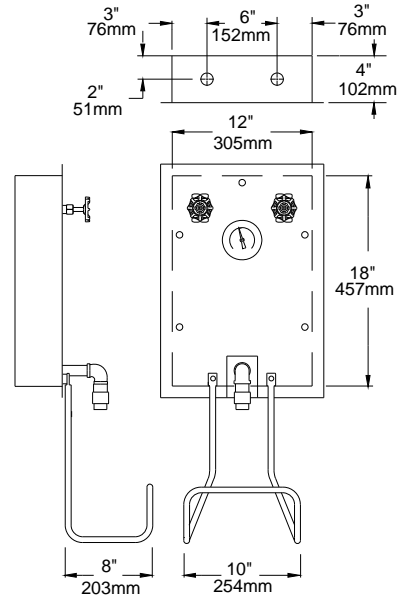
Web Site: <http://www.leonardvalve.com>

MANUAL STEAM & WATER BLENDERS

CWH-75-VBD-LF



CW-75-VBD-LF



NOTE: Hose and nozzle not included. If required, please attach separate submittal sheet.

CAUTION: These valves may pass live steam under certain circumstances. Follow recommended operating instructions and wear protective clothing when using.

IMPORTANT! Not for use with steam and water pressures above 80 PSI (5.5 bar). The prevailing steam (or hot water) pressure must be slightly lower than the cold water pressure.

Not for use with unequal pressures. Install pressure reducing valves where unequal pressure conditions exist.

Engineer's Approval



1360 Elmwood Avenue, Cranston, RI 02910 USA
 Phone: 401.461.1200 Fax: 401.941.5310
 Email: info@leonardvalve.com
 Web Site: <http://www.leonardvalve.com>